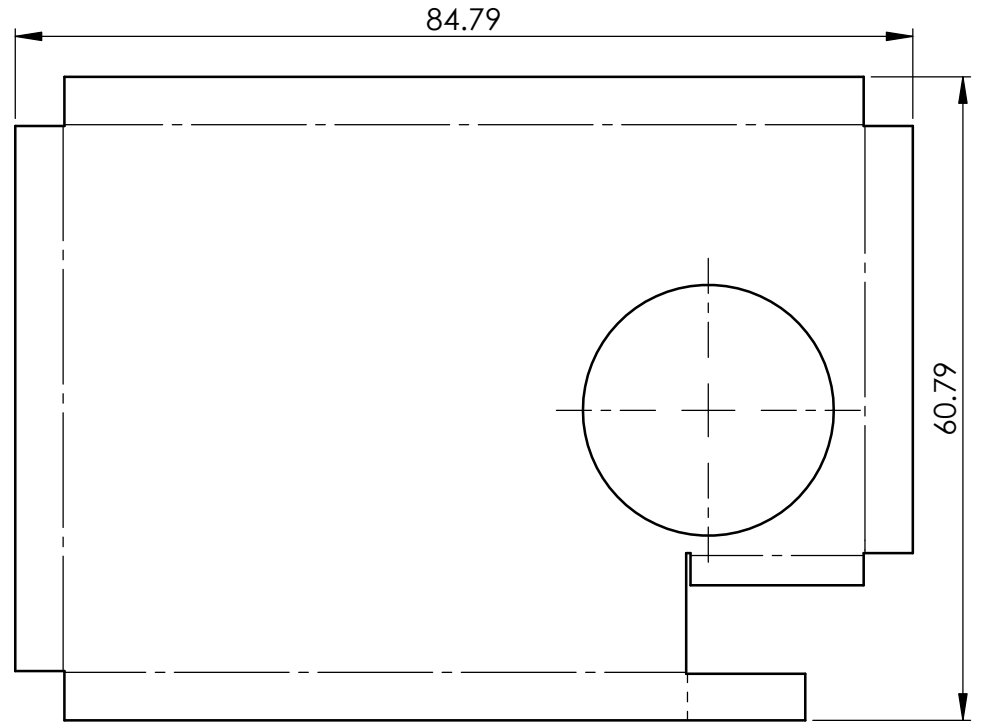


FLAT PROFILE



- NOTES:
1. ALL FOLDS TO HAVE MINIMUM FOLD RADIUS
 2. THE ARTWORK FILE REQUIRED TO GENERATE THIS SHIELD IS : ART-006-02725-01.PDF
 3. MATERIAL: 0.2mm THICK

REV	MODIFICATIONS	DATE	INIT	C/No	TOLERANCES & GENERAL INFORMATION (Unless otherwise stated) ALL DIMENSIONS IN mm ALL UNSPECIFIED TOLERANCES ±0.2 CHAMFER EDGES 0.2 TO 0.4 SURFACE FINISH:		DRAWN: Wolfgang S.	© COPYRIGHT THIS DRAWING REMAINS THE PROPERTY OF	
00	FIRST DRAWN	21-11-05	WS				DATE: 21-11-2005	Blackbay Empowering Mobile Workers	
01	RELEASED FOR PRODUCTION	02-02-06	WS				CHECKED:	Blackbay	
					MATERIAL: NICKEL SILVER 926 / UNS C75700		APPROVED:	TITLE: SHIELD - RF BOARD	
					FINISH: REMOVE BURRS & SHARP EDGES		RELEASED:	DWG No. MEC-006-02725-01	
					WEIGHT: DO NOT SCALE				SIZE: A4
					FILE:				SCALE: N.T.S.
									SHEET: 1 OF 1